



002
PCB TERMINAL
BLOCKS

081
TERMINAL STRIPS

095
WIRE TO BOARD
CONNECTORS

100
CIRCULAR
CONNECTORS

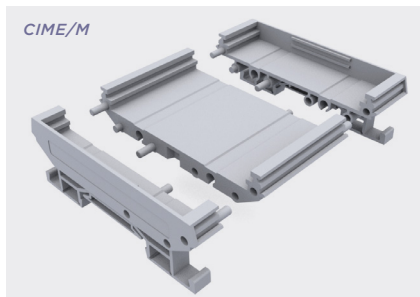
151
IP68 CONNECTORS

158
INTERFACE
MODULES AND
RELAY BASES

Mini series 72mm empty modular interface supports

Product overview

- Suitable for 72mm width PCB's
- Modular construction for easy Assembly
- Snap fit DIN Rail mounting fixtures
- Moulded in grey UL94-V0 flame retardant PA6
- Wall mounting kit option
- Terminal blocks available in same colour
- Integral marker facility
- Registered design No: 2106418*
- Also available in different colours
- End section foot for top hat DIN Rail

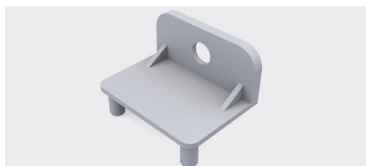


PART NO.	DESCRIPTION	WIDTH
CIME/M/BE1125SS	Base element	11.25mm
CIME/M/BE2250SS	Base element	22.5mm
CIME/M/BE4500SS	Base element	45.0mm
CIME/M/SE1125SS	End section	11.25mm
CIME/M/SE2250SS	End section	22.5mm
CIME/M/SEF1125S	End section with foot	11.25mm
CIME/M/SEF2250S	End section with foot	22.5mm
CIME/M/FE0000SS	Foot element	

Wall mount plates

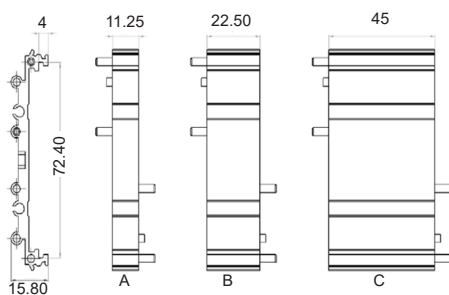
- Flush and raised surface mounting plates
- Press into sides of end section without tool
- Use foot element on long lengths with raised plates

PART NO.	DESCRIPTION
CIME/M/MPF	Flush
CIME/M/MPR	Raised

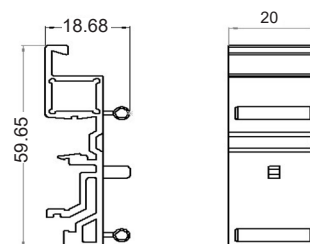


CIME/M/ TOTAL PCB LENGTH	END SECTION SEF1125SS 10MM	SEF2250SS 21.25MM	BASE ELEMENTS BE1125SS 11.25MM	BE2250SS 22.5MM	BE4500SS 45MM	PART COUNT
20mm	2					2
31.25mm	1	1				2
42.5mm		2				2
53.75mm		2	1			3
65mm		2		1		3
76.25mm	1	1			1	3
87.5mm		2			1	3
98.75mm		2	1		1	4
110mm		2		1	1	4
121.25mm	1	1			2	4
132.5mm		2			2	4
143.75mm		2	1		2	5
155mm		2		1	2	5
166.25mm	1	1			3	5
177.5mm		2			3	5

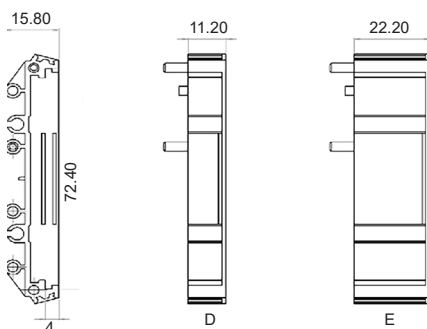
Base element



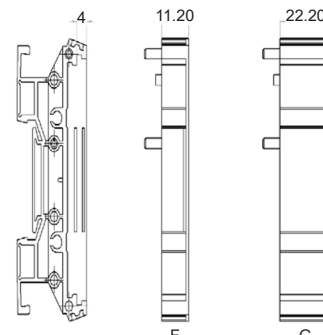
Foot element



End section



End section with foot



CONNECT

161

+44 (0)1638 716101 | sales@camdenboss.com | www.camdenboss.com

We operate a constant improvement policy, our products are subject to change without notice.

Vers 1



FM 28614